



# Automotive Inertia Brake Dynamometer Model 3000

The Model 3000 Dynamometer provides an efficient and easy to use tool for automotive brake performance testing. It is designed to perform controlled input or output tests upon hydraulically actuated brake assemblies. The system incorporates state-of-the-art technology for optimal correlation to actual operating conditions.

The specific purpose of the equipment defined is the precise and accurate measurement of performance, effectiveness, thermal capacity and other attributes related to in-service braking.

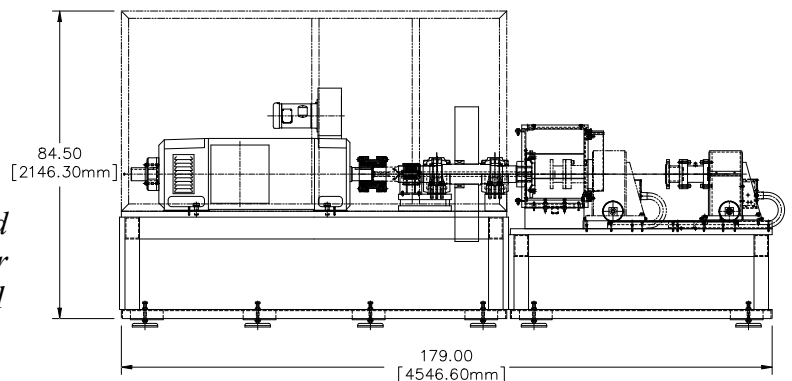
The dynamometer controls are designed to enable close correlation with existing certification of research & development type test protocols. The advanced features of our ProLink™ software package offers operator dependent control or fully automatic unattended operation.

All primary operating functions are performed at the dynamometer station including selection of test parameters, control modes, display of pertinent data, monitoring of all test functions and execution of desired test sequences.



## Features

- Computer controlled inertia simulation
- Swing away enclosure doors and cooling ducts
- Machine mounted electrical components save floor space and ease installation
- Complete measurement suite to record speed, distance, temperature, torque, and other parameters



*For more information on the Model 3000 and how it can be configured to meet your requirements contact Link Europe at +49 6431 9088810 or [linkeuropesales@linkeng.com](mailto:linkeuropesales@linkeng.com)*

### Disclaimer:

Information presented in this brochure is for informational purposes only. Link Engineering Company reserves the right to make changes, alterations and substitutions to the machines, components or other information presented in this brochure without prior notice. For the latest information contact Link Engineering Company.

Equipment pictured in this brochure may be shown with safety equipment removed or disabled for purposes of illustration. Equipment must never be operated with safety equipment removed or disabled.

**Single Source for Testing Equipment and Services Across America and Around the World**

Link Europe

+49 6431 9088810

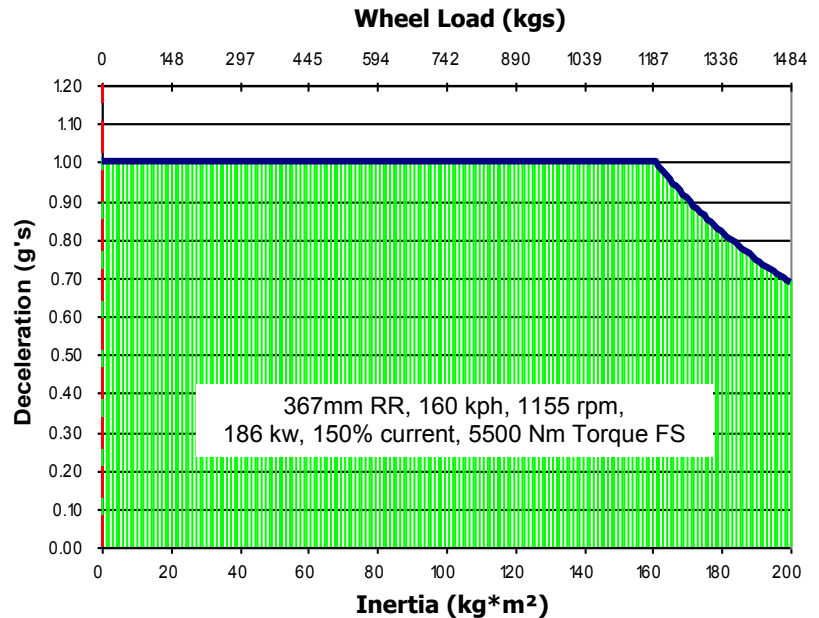
www.linkeng.com

Asia • Europe • North America • South America



# Automotive Inertia Brake Dynamometer Model 3000

The Model 3000 simulated inertia system permits the replication of braking performance for a wide range of vehicles. Employing a single fixed disc, this dynamometer is able to reproduce inertia values from nearly zero to that of the largest passenger vehicle. Since infinitesimally small inertia increments can be simulated and bearing and other losses are compensated, highly accurate brake performance replication is possible. Simulated inertia increases the ease of operation since the desired inertia is simply set in the control computer eliminating the need for the operator to physically change the inertia.



## Typical Specifications

<b>Software Package</b>	ProLink™ Microsoft® Windows® based
<b>Sample Rate</b>	2500 samples/sec/channel
<b>Channels</b>	Spare channels provided
<b>Test Parts</b>	Conventional and Knuckle brake assemblies
<b>Installation</b>	Isolation mounts on your shop floor
<b>Main Drive Motor</b>	185 kW DC
<b>Max. Speed</b>	1150/2000 1/min (Optional 2500 1/min)
<b>Pressure</b>	206 bar
<b>Brake Apply</b>	Servo air over brake fluid: 517 bar/sec
<b>Option 1</b>	Elect./ brake fluid: 1035 bar/sec
<b>Option 2</b>	Hydraulic system: 1370 bar/sec
<b>Inertia</b>	Minimum: 4.9 kgm <sup>2</sup> Maximum: see Inertia Graphs Increment: Continuous through Inertia-Simulation Number of Discs: 1 Fixed Mechanical Inertia: 76 kgm <sup>2</sup>
<b>Temperature</b>	4 rotating (slip ring) and 4 non-rotating
<b>Tailstock</b>	Conventional
<b>Torque</b>	5640 Nm In-Line Non-Rotating

## Options

- Cooling Air
- Environmental Conditioning
- Fluid Displacement
- Water Spray Injection
- Dust Spray Injection
- Static Torque
- Multiple Inertia Discs
- Parking Brake
- AC Motor
- High Speed Operation to 2500 1/min
- Custom Configurations

**Disclaimer:**

Information presented in this brochure is for informational purposes only. Link Engineering Company reserves the right to make changes, alterations and substitutions to the machines, components or other information presented in this brochure without prior notice. For the latest information contact Link Engineering Company.

Equipment pictured in this brochure may be shown with safety equipment removed or disabled for purposes of illustration. Equipment must never be operated with safety equipment removed or disabled.

Single Source for Testing Equipment and Services Across America and Around the World

Link Europe

+49 6431 9088810

www.linkeng.com

Asia • Europe • North America • South America